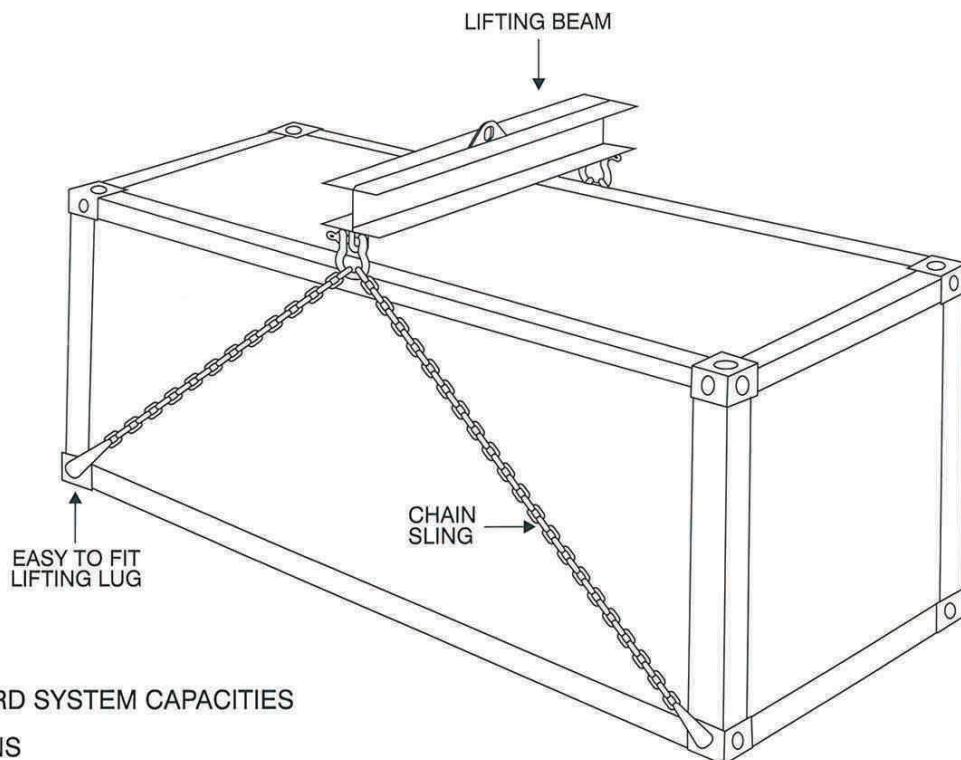


CONTAINER LIFTING SYSTEMS

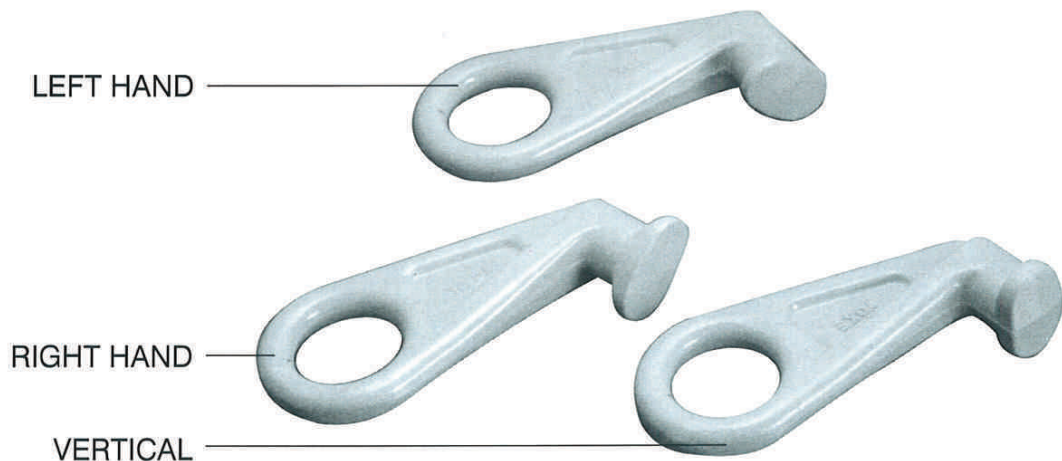
FOR LIFTING PARTIALLY FILLED OR
EMPTY SIX METRE CONTAINERS



STANDARD SYSTEM CAPACITIES

- 3 TONS
- 6 TONS
- 10 TONS

LUGS ARE AVAILABLE AS SEPARATE ITEMS:



WORKING LOAD LIMIT PER LUG - 12500Kg

SAFETY FACTOR 4 : 1